

HS4000

High-Security Enclosure

Installation/Operation Manual

C497M-D (1/96)

TABLE OF CONTENTS

Section	Page
1.0 WARNINGS	1
2.0 SCOPE	2
2.1 DESCRIPTION	2
3.0 INSTALLATION	3
3.1 CAMERA/LENS INSTALLATION	3
4.0 TAMPER SWITCH INSTALLATION	4
4.1 WIRING THE SWITCH	4
5.0 CARE AND MAINTENANCE	4
6.0 SPECIFICATIONS	4
7.0 EXPLODED ASSEMBLY DIAGRAM	5
7.1 MECHANICAL PARTS LIST	5
8.0 WARRANTY AND RETURN INFORMATION	6

LIST OF ILLUSTRATIONS

Figure	Page
1 HS4000 Dimension Drawing	2
2 HS4000 Series Tamper Switch Installation	4
3 HS4000 Exploded Assembly Diagram	5

REVISION HISTORY

Manual #	Date	Comments
C497M	6/90	Original manual.
C497M	10/92	Rev. A. Revised manual to reflect new style; including isometric diagrams.
C497M-B	7/95	Rev. B. Manual revised to include tamper switch information and new manual layout design.
C497M-C	11/95	Rev. C. Revised to include updated tamper switch/bracket part numbers and exploded view diagram.
C497M-D	1/96	Rev. D. Revised to include tamper switch installation, specification description and new part numbers per ECO 95-397.
	11/96	Revised to include updated mechanical parts list and exploded assembly diagram.

INSTALLATION/OPERATION MANUAL HS4000 HIGH-SECURITY ENCLOSURE

1.0 WARNINGS

Prior to installation and use of this product, the following WARNINGS should be observed.

1. Installation and servicing should only be done by Qualified Service Personnel and conform to all Local codes.
2. Unless the unit is specifically marked as a NEMA Type 3, 3R, 3S, 4, 4X, 6, or 6P enclosure, it is designed for indoor use only and it must not be installed where exposed to rain and moisture.
3. Only use replacement parts recommended by PELCO.
4. After replacement/repair of this unit's electrical components, conduct a resistance measurement between line and exposed parts to verify the exposed parts have not been connected to line circuitry.
5. The installation method and materials should be capable of supporting four (4) times the weight of the enclosure, pan/tilt, camera and lens combination.

The product may bear the following marks:

This symbol indicates that dangerous voltage constituting a risk of electric shock is present within this unit.



This symbol indicates that there are important operating and maintenance instructions in the literature accompanying this unit.



CAUTION:
TO REDUCE THE RISK OF ELECTRICAL SHOCK, DO NOT REMOVE COVER. NO USER-SERVICEABLE PARTS INSIDE. REFER SERVICING TO QUALIFIED SERVICE PERSONNEL.

CAUTION:
RISK OF ELECTRIC SHOCK.
DO NOT OPEN.

Please thoroughly familiarize yourself with the information in this manual prior to installation and operation.

2.0 SCOPE

The information contained within this manual covers the HS4000 High Security Camera Enclosure.

2.1 DESCRIPTION

The HS4000 is a high-security camera enclosure designed for use with 2/3-inch cameras and will accommodate fixed focal length lenses or motorized zoom lenses with or without auto-iris operation.

The HS4000 has been engineered for indoor use as a stand-alone enclosure in prisons, detention cells, or other applications requiring maximum protection from vandalism.

This enclosure has a removable rear cap for easy access to the slide-out platform on which the camera is mounted. The removable front cap allows manual lens adjustments to be made without removing the camera. Access to the interior can only be gained with a specially designed tool, eliminating the possibility of the enclosure being opened by unauthorized personnel.

A factory-installed tamper switch provides additional security.

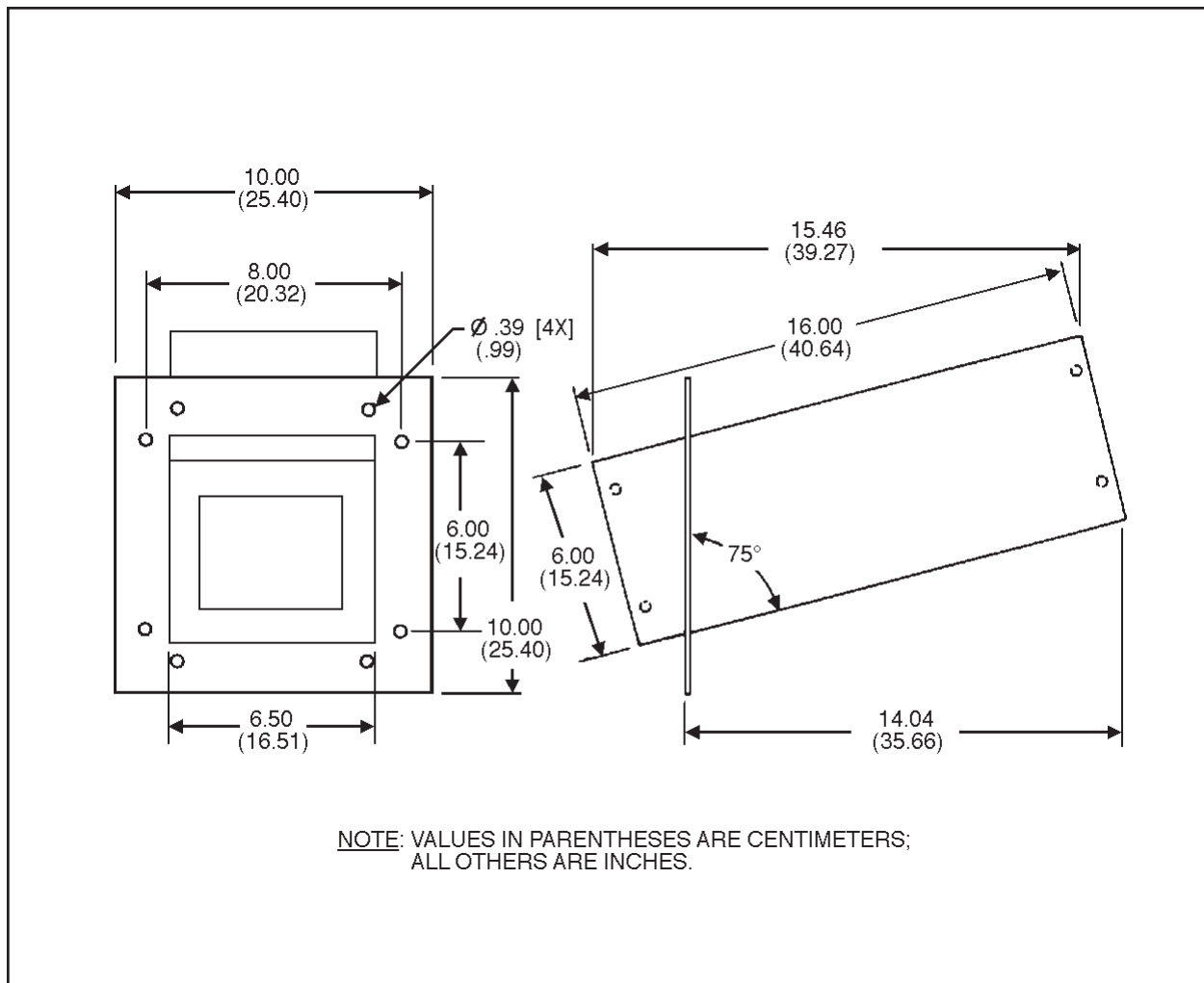


Figure 1. HS4000 Dimension Drawing

3.0 INSTALLATION

The following hardware is supplied with the enclosure and can be used to mount the enclosure or the camera/lens:

<u>Quantity</u>	<u>Item</u>
2	1/4-20 x .500 hex head screws
4	1/4 flat washers
4	1/4 split washers
2	1/4-20 “tampruf” screws

3.1 CAMERA/LENS INSTALLATION

1. Remove the four (4) “tampruf” screws from the rear cap with the tool provided.
2. Remove the rear cap from the enclosure. Loosen the bolt on the camera sled assembly and remove it from the rail.
3. Place the camera/lens on the sled assembly.

NOTE: Position the camera/lens at the forward-most point on the sled, while allowing clearance between the lens and enclosure window when the lens is adjusted to its maximum physical length.

4. Secure the camera/lens to the sled with the 1/4-20 hex head screws provided.
5. Pull the video and power cables through the knock-outs and attach to the camera.
6. Adjust camera focus and iris if necessary.
7. Replace the sled onto the rail and slide the assembly into the enclosure; replace the bolt and secure.
8. Replace the rear cap and the four (4) “tampruf” screws.
9. Attach the enclosure to the appropriate mount or pan/tilt using the instructions provided.

NOTE: If the lens needs to be adjusted further after installation has been completed, it is easier to remove the front cap to make final lens adjustments.

4.0 TAMPER SWITCH INSTALLATION

The HS4000 High-Security enclosures come standard from the factory with a tamper switch(es) mounted on the secured access door. Refer to Section 4.1 for wiring.

Should it become necessary to install a replacement switch, reference Figure 2 and perform the following steps:

1. Open the enclosure by removing the end plate from the desired “alarmed” opening.
2. Install the bracket so that the mounting studs go through the slots in the bracket.

NOTE: The slot in the bracket allows the switch to be used against either the 1/2" (1.27 cm) thick lexan window or the .134" (0.34 cm) thick metal plate.

3. If the switch is to be used against the metal plate, slide the bracket so that the studs are at the end of the slot that is furthest from the switch plunger.
4. If the switch is to be used against the Lexan window, slide the bracket so that the studs are at the end of the slot nearest the switch plunger.
5. When reinstalling the front/rear plate, position the plate flush with the end of the enclosure body.

4.1 WIRING THE SWITCH

The tamper switch comes with both a “Normally Open” contact and a “Normally Closed” contact.

- For a “Normally Open” circuit, use the “open” and “common” terminals.
- For a “Normally Closed” circuit, use the “closed” and “common” terminals.

5.0 CARE AND MAINTENANCE

Regularly scheduled maintenance will help prolong the appearance of the equipment.

Clean the window regularly with a soft cloth and mild nonabrasive detergent in water to help maintain picture clarity.

6.0 SPECIFICATIONS

MECHANICAL

Camera	
Mounting:	Multiple holes on camera sled
Viewing	
Window:	1/2" (1.27 cm) thick impact and abrasion resistant Lexan
Camera Size:	Accommodates camera/lens combinations up to: 6.00" W x 4.75" H x 15.00" L (15.24 cm x 12.07 cm x 38.10 cm)
Tamper Switch:	Plunger type door switch with “pull to cheat” feature. N.O./N.C. contacts clearly marked on body of switch. DM electrical rating: 10A, 125V.
Security:	Tamper-resistant screws N.O./N.C. switch contact on secure cover

ELECTRICAL

Cable Entry:	Two (2) cable knockout holes on rear plate
Tamper Switch:	1/4" (.63 cm) quick connect. N.O./N.C. clearly marked on switch body. 10A, maximum switching current 125V, maximum switching voltage.

GENERAL

Construction:	Seam welded 10 gauge .134" (0.34 cm) steel
Finish:	Poly vinyl powder coat
Dimensions:	See Figure 1
Weight:	22 lbs (9.9 kg)

(Product specifications subject to change without notice.)

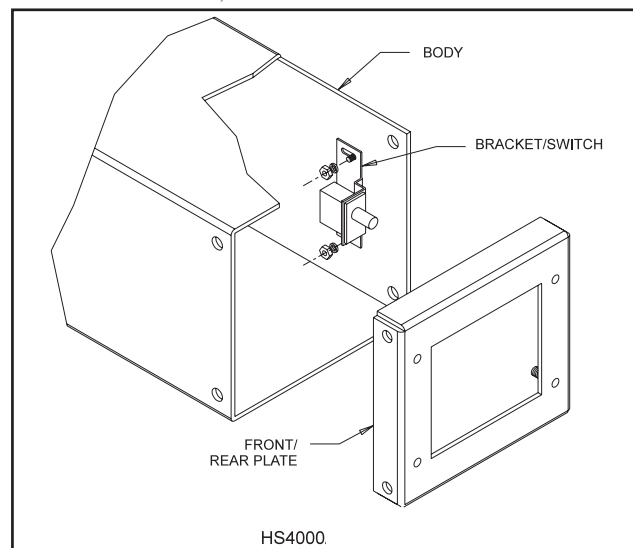


Figure 2. HS4000 Series Tamper Switch Installation

7.0 EXPLODED ASSEMBLY DIAGRAM

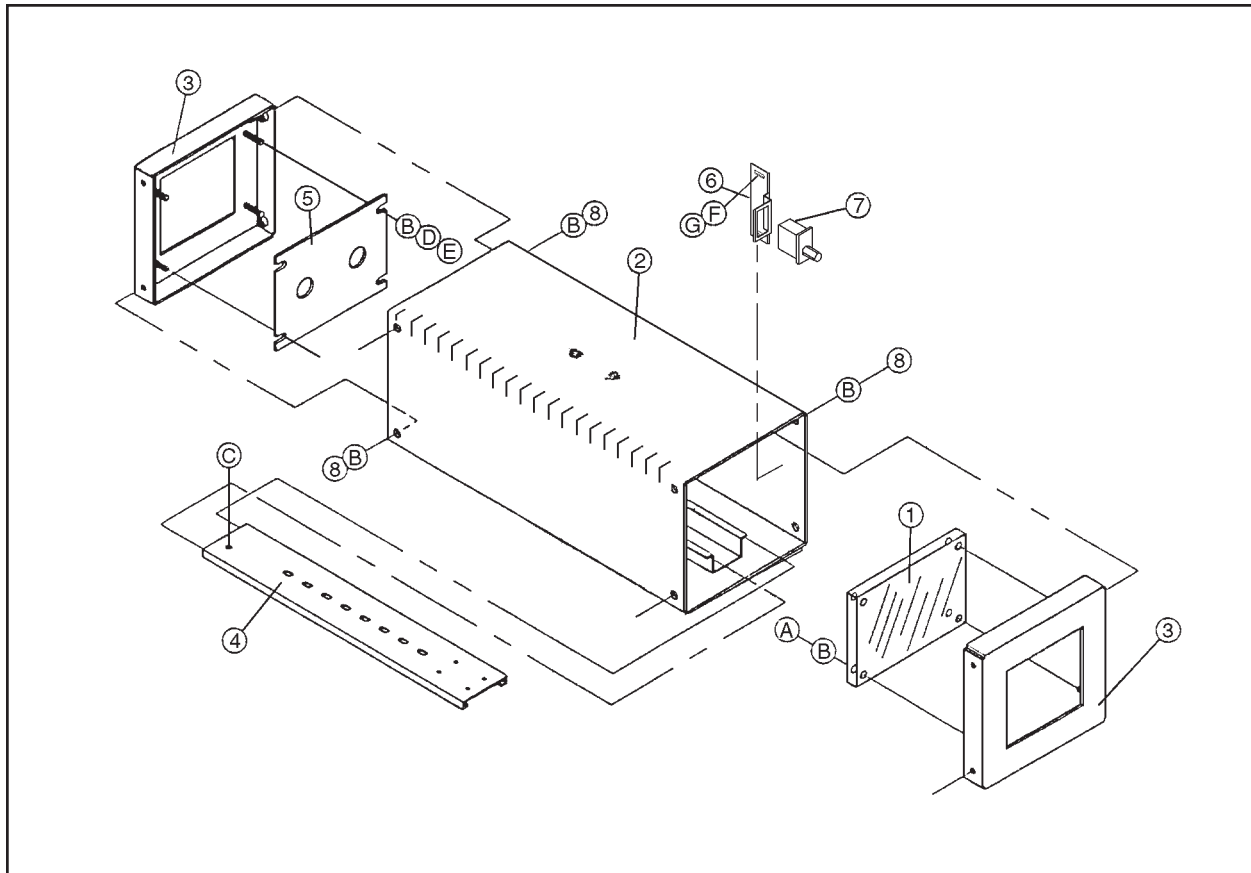


Figure 3. HS4000 Exploded Assembly Diagram

7.1 MECHANICAL PARTS LIST

Item	Quantity	Description	Part Number
1	1	Lexan window	AH80001001
2	1	Body assembly	HS40001100WA
3	2	Front/rear plate	HS40004003COMP
4	1	Sled	EH40144001COMP
5	1	Knockouts plate	HS40004015COMP
6	2	Tamper switch bracket	HS30004113COMP
7	2	Tamper switch	SWI1DM401
8	10	Screws, "tampruf" #10, SS, 1/4-20 x 1/2" round	ZH1/4-20X.50SRT
9	1	Socket, "tampruf" #10	ZT SOCKET10
A	4	1/4-20 Nut-lock	ZH1/420NUTCHN
B	16	1/4" Flat washer	ZH260X562X65C
C	1	1/4-20 x 1.25" Screw	ZH1/420X1.25CS
D	4	1/4" Split lock washer	ZH1/4LWSSL
E	4	1/4-20 Hex nut	ZH1/4-20 NUTCH
F	4	#6 Lock washer	ZH6LWSIS
G	4	6-32 Hex nut	ZH6-32NUTSH

8.0 WARRANTY AND RETURN INFORMATION

WARRANTY

Pelco will repair or replace, without charge, any merchandise proved defective in material or workmanship for a period of one year after the date of shipment.

Exceptions to this warranty are as noted below:

- Five years on FT/FR8000 Series fiber optic products.
- Three years on Genex® Series products (multiplexers, server, and keyboard).
- Three years on Camclosure® and fixed camera models, except the CC3701H-2, CC3701H-2X, CC3751H-2, CC3651H-2X, MC3651H-2, and MC3651H-2X camera models, which have a five-year warranty.
- Two years on standard motorized or fixed focal length lenses.
- Two years on Legacy®, CM6700/CM6800/CM9700 Series matrix, and DF5/DF8 Series fixed dome products.
- Two years on Spectra®, Esprit®, ExSite™, and PS20 scanners, including when used in continuous motion applications.
- Two years on Esprit® and WW5700 Series window wiper (excluding wiper blades).
- Eighteen months on DX Series digital video recorders, NVR300 Series network video recorders, and Endura™ Series distributed network-based video products.
- One year (except video heads) on video cassette recorders (VCRs). Video heads will be covered for a period of six months.
- Six months on all pan and tilts, scanners or preset lenses used in continuous motion applications (that is, preset scan, tour and auto scan modes).

Pelco will warrant all replacement parts and repairs for 90 days from the date of Pelco shipment. All goods requiring warranty repair shall be sent freight prepaid to Pelco, Clovis, California. Repairs made necessary by reason of misuse, alteration, normal wear, or accident are not covered under this warranty.

Pelco assumes no risk and shall be subject to no liability for damages or loss resulting from the specific use or application made of the Products. Pelco's liability for any claim, whether based on breach of contract, negligence, infringement of any rights of any party or product liability, relating to the Products shall not exceed the price paid by the Dealer to Pelco for such Products. In no event will Pelco be liable for any special, incidental or consequential damages (including loss of use, loss of profit and claims of third parties) however caused, whether by the negligence of Pelco or otherwise.

The above warranty provides the Dealer with specific legal rights. The Dealer may also have additional rights, which are subject to variation from state to state.

If a warranty repair is required, the Dealer must contact Pelco at (800) 289-9100 or (559) 292-1981 to obtain a Repair Authorization number (RA), and provide the following information:

1. Model and serial number
2. Date of shipment, P.O. number, Sales Order number, or Pelco invoice number
3. Details of the defect or problem If there is a dispute regarding the warranty of a product which does not fall under the warranty conditions stated above, please include a written explanation with the product when returned.

Method of return shipment shall be the same or equal to the method by which the item was received by Pelco.

RETURNS

In order to expedite parts returned to the factory for repair or credit, please call the factory at (800) 289-9100 or (559) 292-1981 to obtain an authorization number (CA number if returned for credit, and RA number if returned for repair).

All merchandise returned for credit may be subject to a 20% restocking and refurbishing charge.

Goods returned for repair or credit should be clearly identified with the assigned CA or RA number and freight should be prepaid. Ship to the appropriate address below.

If you are located within the continental U.S., Alaska, Hawaii or Puerto Rico, send goods to:

Service Department
Pelco
3500 Pelco Way
Clovis, CA 93612-5699

If you are located outside the continental U.S., Alaska, Hawaii or Puerto Rico and are instructed to return goods to the USA, you may do one of the following:

If the goods are to be sent by a COURIER SERVICE, send the goods to:

Pelco
3500 Pelco Way
Clovis, CA 93612-5699 USA

If the goods are to be sent by a FREIGHT FORWARDER, send the goods to:

Pelco c/o Expeditors
473 Eccles Avenue
South San Francisco, CA 94080 USA
Phone: 650-737-1700
Fax: 650-737-0933



This equipment contains electrical or electronic components that must be recycled properly to comply with Directive 2002/96/EC of the European Union regarding the disposal of waste electrical and electronic equipment (WEEE). Contact your local dealer for procedures for recycling this equipment.